

SNR-SFP2.5-WXX-10 2.5Gbps

10 dB Power Budget SFP 2.5G WDM Transceiver

Single-Mode 2.5Gbps SDH/SONET/FC Simplex SC/LC Single-Fiber SFP Transceiver RoHS6 Compliant

Features

- ◆ Support up to 2.5Gbps data links
- ◆ A type: 1310nm DFB Tx/1550nmRx
B type: 1550nm DFB Tx/1310nmRx
- ◆ 10km with 9/125 μ m SMF
- ◆ Single 3.3V Power supply and TTL Logic Interface
- ◆ Hot-Pluggable SFP Footprint Simplex SC/LC Connector Interface
- ◆ Class 1 FDA and IEC60825-1 laser safety compliant
- ◆ Operating Case Temperature
Standard: 0°C~+70°C
Industrial:-40°C~+85°C
- ◆ Compliant with SFP MSA
- ◆ Compliant with SFF-8472



Applications

- ◆ Fiber Channel Links
- ◆ OC-48 / STM-16 Links
- ◆ WDM Links

Ordering information

Part No.	Data Rate	Wavelength	Interface	Temp.	DDMI
SNR-SFP2.5-W35-10 ^{*(note1)}	1.063/2.5Gbps	1310nm	SC	Standard	NO
SNR-SFP2.5-W53-10 ^{*(note1)}	1.063/2.5Gbps	1550nm	SC	Standard	NO

Note1: Standard version

Regulatory Compliance

Feature	Standard	Performance
Electrostatic Discharge (ESD) to the Electrical Pins	MIL-STD-883G Method 3015.7	Class 1C (>1000 V)

SNR-SFP2.5-WXX-10 2.5Gbps

10 dB Power Budget SFP 2.5G WDM Transceiver

Electrostatic Discharge to the enclosure	EN 55024:1998+A1+A2 IEC-61000-4-2 GR-1089-CORE	Compatible with standards
Electromagnetic Interference (EMI)	FCC Part 15 Class B EN55022:2006 CISPR 22B :2006 VCCI Class B	Compatible with standards Noise frequency range: 30 MHz to 6 GHz. Good system EMI design practice required to achieve Class B margins. System margins are dependent on customer host board and chassis design.
Immunity	EN 55024:1998+A1+A2 IEC 61000-4-3	Compatible with standards. 1kHz sine-wave, 80% AM, from 80 MHz to 1 GHz. No effect on transmitter/receiver performance is detectable between these limits.
Laser Eye Safety	FDA 21CFR 1040.10 and 1040.11 EN (IEC) 60825-1:2007 EN (IEC) 60825-2:2004+A1	CDRH compliant and Class I laser product. TbV Certificate No. 50135086
Component Recognition	UL and CUL EN60950-1:2006	UL file E317337 TbV Certificate No. 50135086 (CB scheme)
RoHS6	2002/95/EC 4.1&4.2 2005/747/EC 5&7&13	Compliant with standards ^{*note2}

Note2: For update of the equipments and strict control of raw materials, SNR has the ability to supply the customized products since Jan 1th, 2007, which meet the requirements of RoHS6 (Restrictions on use of certain Hazardous Substances) of European Union.

In light of item 5 in RoHS exemption list of RoHS Directive 2002/95/EC, Item 5: Lead in glass of cathode ray tubes, electronic components and fluorescent tubes.

In light of item 13 in RoHS exemption list of RoHS Directive 2005/747/EC, Item13: Lead and cadmium in optical and filter glass. The three exemptions are being concerned for SNR's transceivers, because SNR's transceivers use glass, which may contain Pb, for components such as lenses, windows, isolators, and other electronic components.

Product Description

The SNR-SFP2.5-WXX-10 series is small form factor pluggable module for OC-48 / STM-16 and Fiber Channel single fiber communications by using 1310nm/1550nm transmitter and 1550nm / 1310nm receiver. It is with the SFP 20-pin connector to allow hot plug capability.

The transmitter section uses a multiple quantum well A type/B type laser and is a class 1 laser compliant according to International Safety Standard IEC 60825. The receiver section uses an

SNR-SFP2.5-WXX-10 2.5Gbps

10 dB Power Budget SFP 2.5G WDM Transceiver

integrated A type/B type detector preamplifier (IDP) mounted in an optical header and a limiting post-amplifier IC.

The SNR-SFP2.5-WXX-10 series are designed to be compliant with SFF-8472 SFP MSA.

Absolute Maximum Ratings

Parameter	Symbol	Min.	Max.	Unit
Storage Temperature	T_s	-40	+85	°C
Supply Voltage	V_{cc}	-0.5	3.6	V
Operating Relative Humidity		-	95	%

*Exceeding any one of these values may destroy the device immediately.

Recommended Operating Conditions

Parameter	Symbol	Min.	Typical	Max.	Unit	
Operating Case Temperature	T_A	SNR-SFP2.5-WXX-10		0	+70	°C
Power Supply Voltage	V_{cc}	3.15	3.3	3.45	V	
Power Supply Current	I_{cc}			300	mA	
Data Rate	FC		1.063		Gbps	
	2xFC		2.125		Gbps	
	OC-48/STM-16		2.5		Gbps	

Performance Specifications - Electrical

Parameter	Symbol	Min.	Typ.	Max	Unit	Notes
Transmitter						
LVPECL Inputs(Differential)	V_{in}	400		2000	mVpp	AC coupled inputs*(note5)
Input Impedance (Differential)	Z_{in}	85	100	115	ohms	$R_{in} > 100$ kohms @ DC
Tx_Dis	Disable	2		V_{cc}	V	
	Enable	0		0.8		
Tx_FAULT	Fault	2		$V_{cc}+0.3$	V	
	Normal	0		0.5		
Receiver						
CML Outputs (Differential)	V_{out}	370		1200	mVpp	AC coupled outputs*(note5)
Output Impedance (Differential)	Z_{out}	85	100	115	ohms	
Rx_LOS	LOS	2		$V_{cc}+0.3$	V	
	Normal	0		0.8	V	
MOD_DEF (0:2)	VoH	2.5			V	With Serial ID
	VoL	0		0.5	V	

SNR-SFP2.5-WXX-10 2.5Gbps

10 dB Power Budget SFP 2.5G WDM Transceiver

Optical and Electrical Characteristics

(SNR-SFP2.5-W35-10, 1310nm DFB and PIN, 10km)

Parameter	Symbol	Min.	Typical	Max.	Unit
9µm Core Diameter SMF	L		15		km
Data Rate		1.063		2.5	Gbps
Transmitter					
Centre Wavelength	λ_c	1260	1310	1360	nm
Spectral Width (-20dB)	$\Delta\lambda$			1	nm
Side Mode Suppression Ratio	SMSR	30			dB
Average Output Power*(note3)	P _{out}	-8		-3	dBm
Extinction Ratio*(note4)	ER	8.2			dB
Rise/Fall Time(20%~80%)	tr/tf			150	ps
Output Optical Eye*(note4)	Compatible with ITU-T G.957*(note7)				
TX_Disable Assert Time	t _{off}			10	µs
P _{out} @TX Disable Asserted	P _{out}			-45	dBm
Receiver					
Centre Wavelength	λ_c	1500	1550	1580	nm
Receiver Sensitivity*(note6)	FC	P _{min}		-21	dBm
	2XFC			-19	dBm
	OC-48/STM-16			-18	dBm
Receiver Overload	P _{max}	-3			dBm
Reflection				-27	dB
LOS De-Assert	LOSD			-19	dBm
LOS Assert	LOSA	-35			dBm
LOS Hysteresis*(note8)		0.5			dB

(SNR-SFP2.5-W53-10, 1550nm DFB and PIN, 10km)

Parameter	Symbol	Min.	Typical	Max.	Unit
9µm Core Diameter SMF	L		15		km
Data Rate		1.063		2.5	Gbps
Transmitter					
Centre Wavelength	λ_c	1530	1550	1570	nm
Spectral Width (-20dB)	$\Delta\lambda$			1	nm
Average Output Power*(note3)	P _{out}	-8		-3	dBm
Extinction Ratio*(note4)	ER	8.2			dB
Side Mode Suppression Ratio	SMSR	30			dB
Rise/Fall Time(20%~80%)	tr/tf			150	ps
Output Optical Eye*(note4)	Compatible with ITU-T G.957*(note7)				
TX_Disable Assert Time	t _{off}			10	µs
Receiver					
Centre Wavelength	λ_c	1260		1360	nm
Receiver Sensitivity*(note6)	FC	P _{min}		-21	dBm
	2XFC			-19	dBm

SNR-SFP2.5-WXX-10 2.5Gbps

10 dB Power Budget SFP 2.5G WDM Transceiver

	OC-48/STM-16				-18	dBm
Receiver Overload	Pmax	-3				dBm
Reflection					-27	dB
Optical Path Penalty					1	dB
LOS De-Assert	LOSD				-19	dBm
LOS Assert	LOSA	-35				dBm
LOS Hysteresis*(note8)		0.5				dB

Note3: Output is coupled into a 9/125µm single-mode fiber.

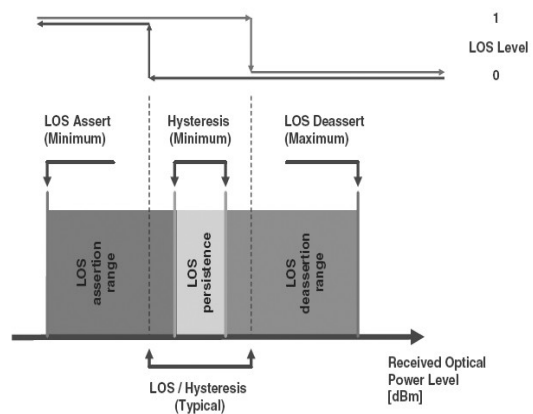
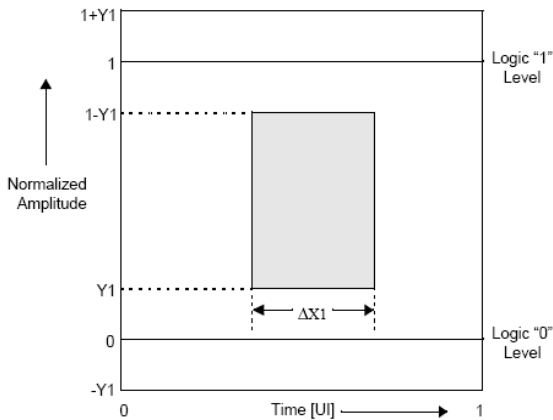
Note4: Filtered, measured with a PRBS 2²³-1 test pattern @2500Mbps

Note5: LVPECL/CML logic, internally AC coupled.

Note6: Minimum average optical power measured at BER less than 1E-10, with a 2²³-1 PRBS and ER=9 dB.

Note7: Eye pattern mask

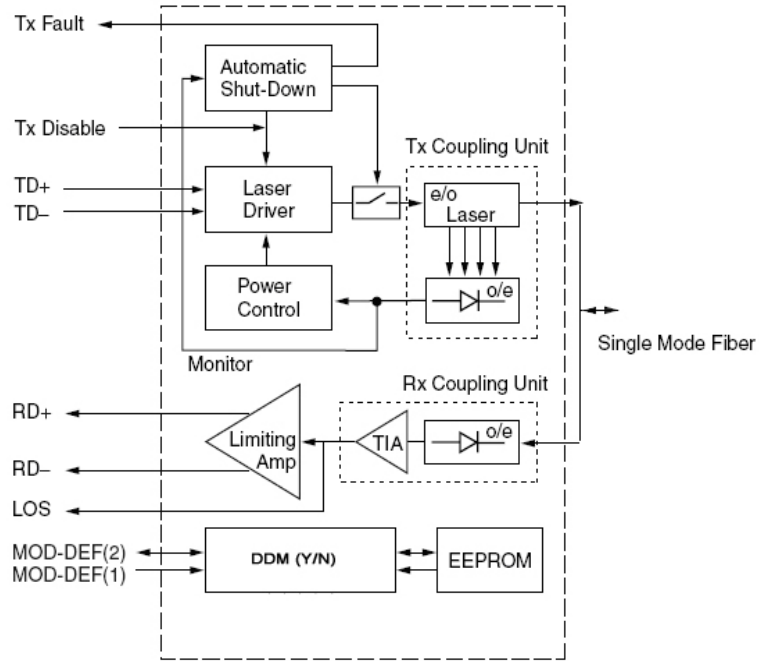
Note8: LOS Hysteresis



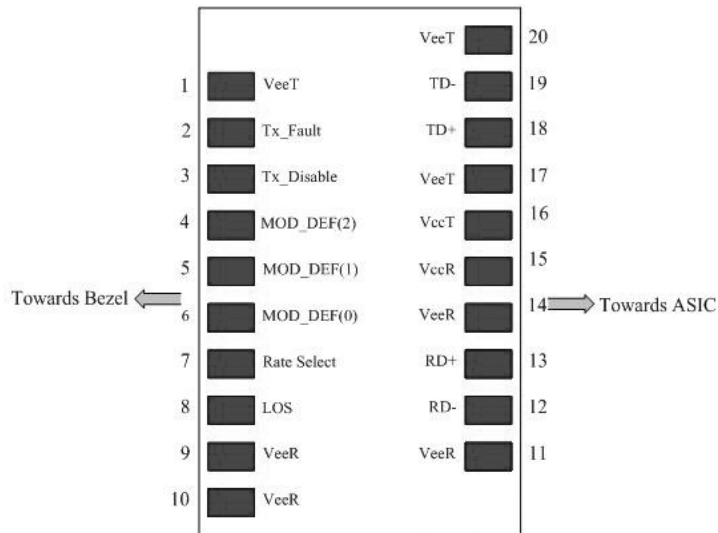
SNR-SFP2.5-WXX-10 2.5Gbps

10 dB Power Budget SFP 2.5G WDM Transceiver

Functional Description of Transceiver

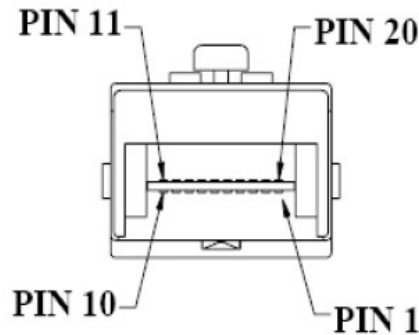


SFP Transceiver Electrical Pad Layout



SNR-SFP2.5-WXX-10 2.5Gbps

10 dB Power Budget SFP 2.5G WDM Transceiver



Pin Function Definitions

Pin Num.	Name	FUNCTION	Plug	Notes
1	VeeT	Transmitter Ground	1	5)
2	TX Fault	Transmitter Fault Indication	3	1)
3	TX Disable	Transmitter Disable	3	2), Module disables on high or open
4	MOD-DEF2	Module Definition 2	3	3), Data line for Serial ID.
5	MOD-DEF1	Module Definition 1	3	3), Clock line for Serial ID.
6	MOD-DEF0	Module Definition 0	3	3), Grounded within the module.
7	Rate Select	Not Connect	3	Function not available
8	LOS	Loss of Signal	3	4)
9	VeeR	Receiver Ground	1	5)
10	VeeR	Receiver Ground	1	5)
11	VeeR	Receiver Ground	1	5)
12	RD-	Inv. Received Data Out	3	6)
13	RD+	Received Data Out	3	7)
14	VeeR	Receiver Ground	1	5)
15	VccR	Receiver Power	2	3.3 ± 5%, 7)
16	VccT	Transmitter Power	2	3.3 ± 5%, 7)
17	VeeT	Transmitter Ground	1	5)
18	TD+	Transmit Data In	3	8)
19	TD-	Inv. Transmit Data In	3	8)
20	VeeT	Transmitter Ground	1	5)

Notes:

1) TX Fault is an open collector/drain output, which should be pulled up with a 4.7K – 10KΩ resistor on the host board. Pull up voltage between 2.0V and VccT, R+0.3V. When high, output indicates a laser fault of some kind. Low indicates normal operation. In the low state, the output will be pulled to < 0.8V.

2) TX disable is an input that is used to shut down the transmitter optical output. It is pulled up within the module with a 4.7 – 10 K Ω resistor. Its states are:

SNR-SFP2.5-WXX-10 2.5Gbps

10 dB Power Budget SFP 2.5G WDM Transceiver

Low (0 – 0.8V): Transmitter on

(>0.8, < 2.0V): Undefined

High (2.0 – 3.465V): Transmitter Disabled

Open: Transmitter Disabled

3) Mod-Def 0,1,2. These are the module definition pins. They should be pulled up with a 4.7K – 10K Ω resistor on the host board. The pull-up voltage shall be VccT or VccR (see Section IV for further details). Mod-Def 0 is grounded by the module to indicate that the module is present Mod-Def 1 is the clock line of two wire serial interface for serial ID Mod-Def 2 is the data line of two wire serial interface for serial ID

4) LOS (Loss of Signal) is an open collector/drain output, which should be pulled up with a 4.7K – 10K Ω resistor. Pull up voltage between 2.0V and VccT, R+0.3V. When high, this output indicates the received optical power is below the worst-case receiver sensitivity (as defined by the standard in use). Low indicates normal operation. In the low state, the output will be pulled to < 0.8V.

5) VeeR and VeeT may be internally connected within the SFP module.

6) RD-/+ : These are the differential receiver outputs. They are AC coupled 100 Ω differential lines which should be terminated with 100 Ω (differential) at the user SERDES. The AC coupling is done inside the module and is thus not required on the host board. The voltage swing on these lines will be between 370 and 2000 mV differential (185 –1000 mV single ended) when properly terminated.

7) VccR and VccT are the receiver and transmitter power supplies. They are defined as 3.3V \pm 5% at the SFP connector pin. Maximum supply current is 300mA. Recommended host board power supply filtering is shown below. Inductors with DC resistance of less than 1 ohm should be used in order to maintain the required voltage at the SFP input pin with 3.3V supply voltage. When the recommended supply-filtering network is used, hot plugging of the SFP transceiver module will result in an inrush current of no more than 30mA greater than the steady state value. VccR and VccT may be internally connected within the SFP transceiver module.

8) TD-/+ : These are the differential transmitter inputs. They are AC-coupled, differential lines with 100 Ω differential termination inside the module. The AC coupling is done inside the module and is thus not required on the host board. The inputs will accept differential swings of 500 – 2400 mV (250 – 1200mV single-ended), though it is recommended that values between 500 and 1200 mV differential (250 – 600mV single-ended) be used for best EMI performance.

EEPROM

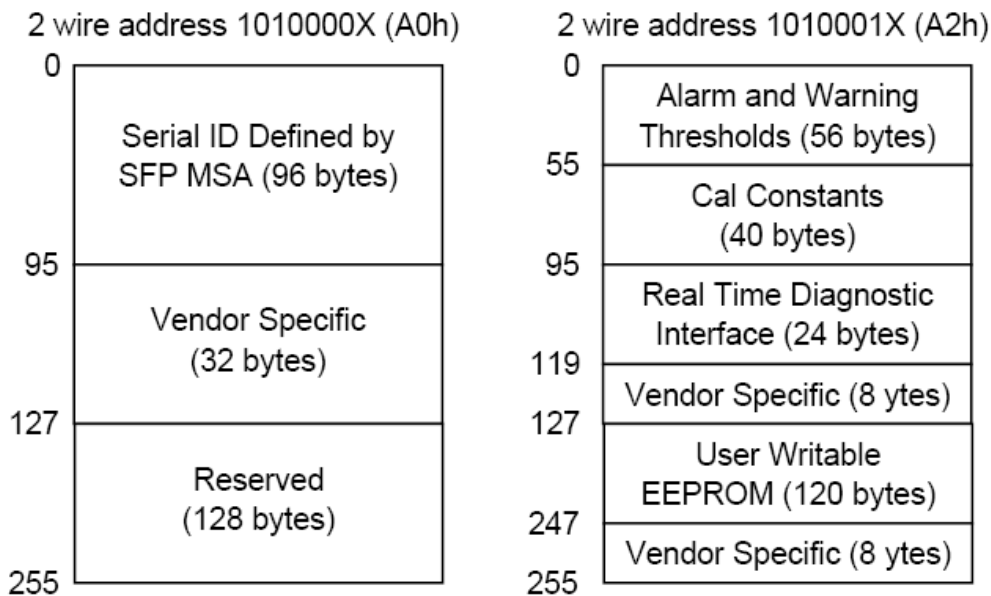
The serial interface uses the 2-wire serial CMOS EEPROM protocol defined for the ATMEL AT24C02/04 family of components. When the serial protocol is activated, the host generates the serial clock signal (SCL). The positive edge clocks data into those segments of the EEPROM that are not writing protected within the SFP transceiver. The negative edge clocks data from the SFP transceiver. The serial data signal (SDA) is bi-directional for serial data transfer. The host uses

SNR-SFP2.5-WXX-10 2.5Gbps

10 dB Power Budget SFP 2.5G WDM Transceiver

SDA in conjunction with SCL to mark the start and end of serial protocol activation. The memories are organized as a series of 8-bit data words that can be addressed individually or sequentially.

The Module provides diagnostic information about the present operating conditions. The transceiver generates this diagnostic data by digitization of internal analog signals. Calibration and alarm/warning threshold data is written during device manufacture. Received power monitoring, transmitted power monitoring, bias current monitoring, supply voltage monitoring and temperature monitoring all are implemented. The diagnostic data are raw A/D values and must be converted to real world units using calibration constants stored in EEPROM locations 56 – 95 at wire serial bus address A2h. The digital diagnostic memory map specific data field define as following .For detail EEPROM information, please refer to the related document of SFF 8472 Rev 9.3.



EEPROM Serial ID Memory Contents

Accessing Serial ID Memory uses the 2 wire address 1010000X (A0). Memory Contents of Serial ID are shown in Table 1.

Table 1 Serial ID Memory Contents

Addr.	Size (Bytes)	Name of Field	Hex	Description
BASE ID FIELDS				
0	1	Identifier	03	SFP
1	1	Ext. Identifier	04	SFP function is defined by serial ID only
2	1	Connector	07	LC Connector
3-10	8	Transceiver	00 00 00 22 00 00 00 00	Transmitter Code
11	1	Encoding	03	NRZ
12	1	BR, Nominal	XX ^(note10)	2.125/2.5Gbps

SNR-SFP2.5-WXX-10 2.5Gbps

10 dB Power Budget SFP 2.5G WDM Transceiver

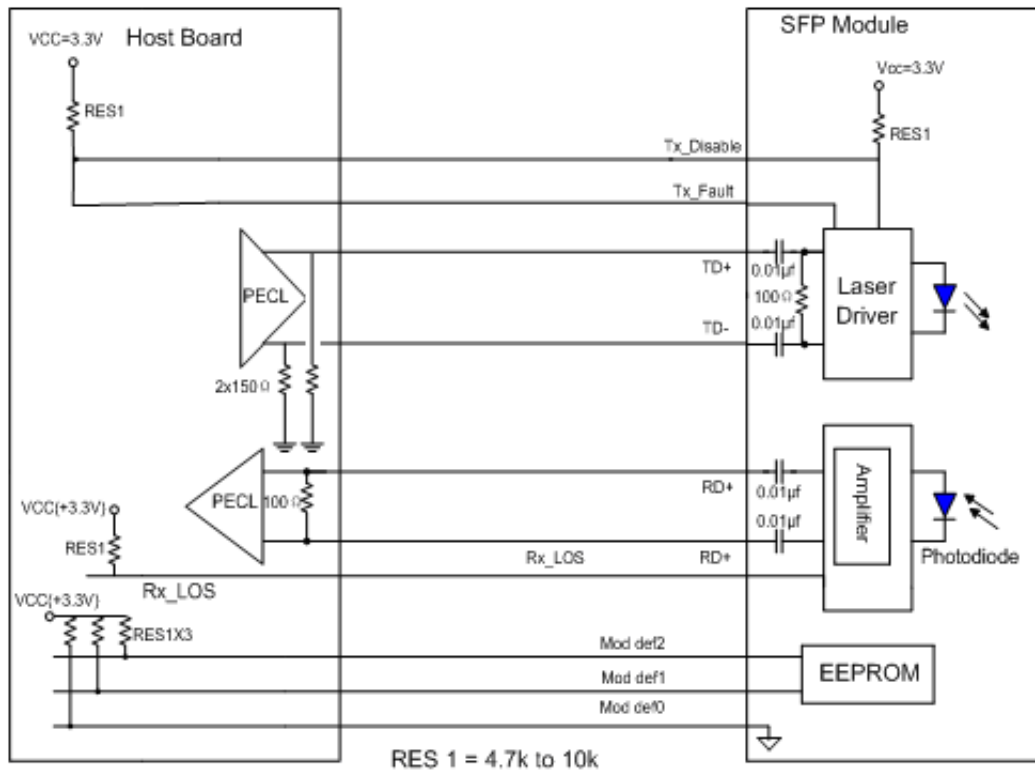
13	1	Reserved	00	Transceiver transmit distance
14	1	Length (9μm)km	0F	
15	1	Length(9μm)100m	96	
16	1	Length (50μm) 10m	00	
17	1	Length(62.5μm)10m	00	
18	1	Length (Copper)	00	Not compliant
19	1	Reserved	00	
20-35	16	Vendor name	XX XX XX XX XX XX XX XX ^(note9) 20 20 20 20 20 20 20 20	Vendor name (ASCII)
36	1	Reserved	00	
37-39	3	Vendor OUI	XX XX XX ^(note9)	
40-55	16	Vendor PN		Transceiver part number
56-59	4	Vendor rev	XX XX XX XX ^(note9)	
60-61	2	Wavelength	XX XX	1310nm/1550nm
62	1	Reserved	00	
63	1	CC_BASE	Check Sum (Variable)	Check code for Base ID Fields
EXTENDED ID FIELDS				
64-65	2	Options	00 1A	TX_DISABLE, TX_FAULT and Loss of Signal implemented.
66	1	BR,max	00	
67	1	BR,min	00	
68-83	16	Vendor SN	XX XX XX XX XX XX XX XX 20 20 20 20 20 20 20 20 ^(note9)	Serial Number of transceiver (ASCII). For example "B000822".
84-91	8	Date code	XX XX XX XX XX XX XX XX ^(note9)	Manufactory date code. For example "080405".
92	1	Diagnostic Monitoring Type	XX ^(note9)	Digital diagnostic monitoring implemented
93	1	Enhanced Options	XX ^(note9)	Optional flags
94	1	SFF_8472 Compliance	XX ^(note9)	01 for diagnostics (Rev9.3 SFF-8472).
95	1	CC_EXT	Check Sum (Variable)	Check sum for Extended ID Field.
VENDOR SPECIFIC ID FIELDS				
96-127	32	Vendor Specific	Read only	Depends on customer information
128-255	128	Reserved	Read only	

Note9: The "XX" byte should be filled in according to practical case. For more information, please refer to the related document of SFP Multi-Source Agreement (MSA).

SNR-SFP2.5-WXX-10 2.5Gbps

10 dB Power Budget SFP 2.5G WDM Transceiver

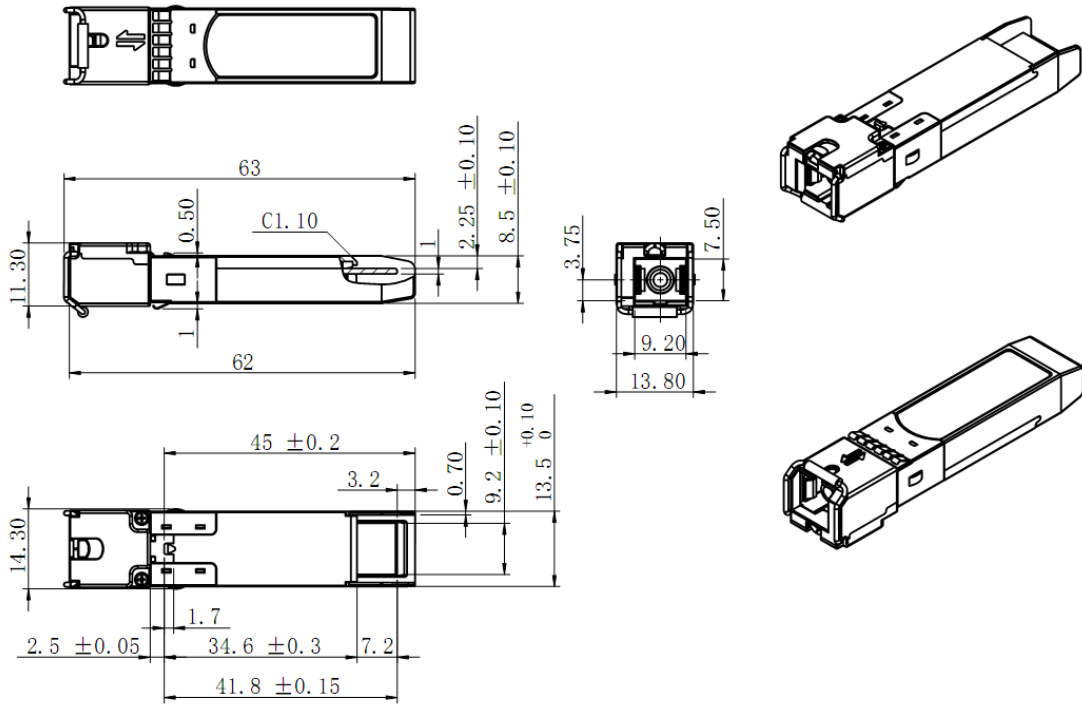
Recommend Circuit Schematic



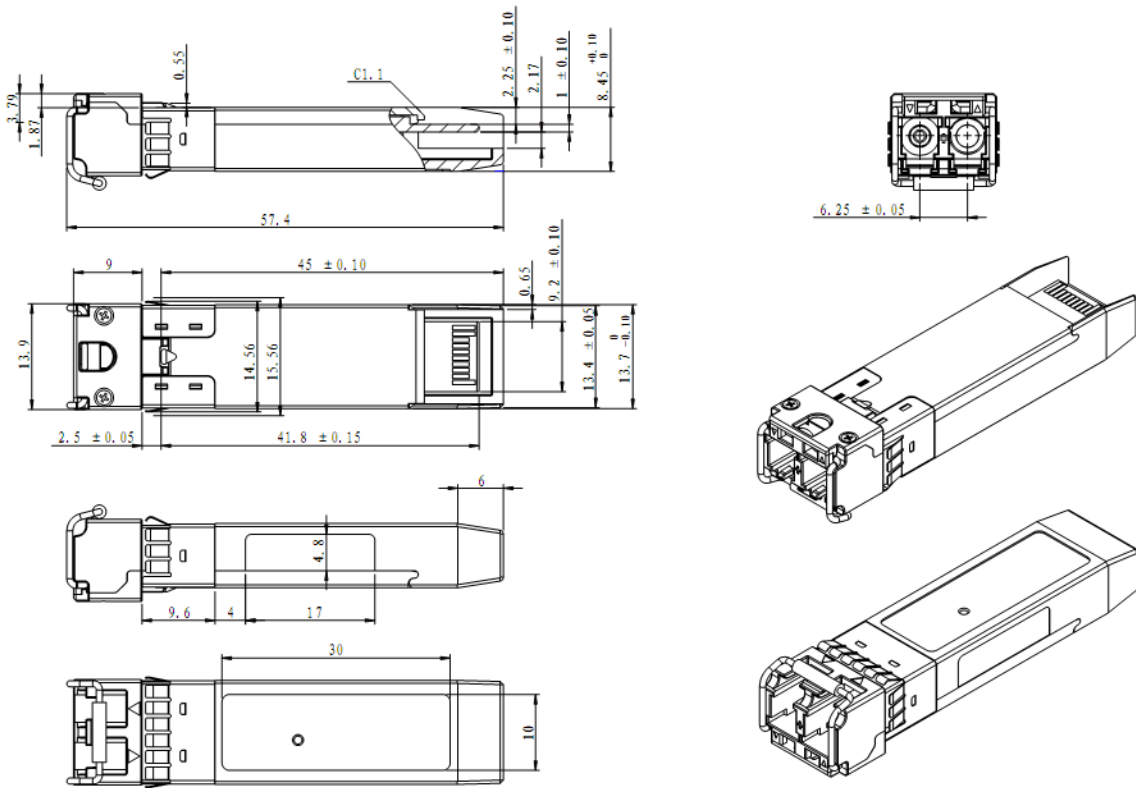
Mechanical Specifications

SNR-SFP2.5-WXX-10 2.5Gbps

10 dB Power Budget SFP 2.5G WDM Transceiver



SC

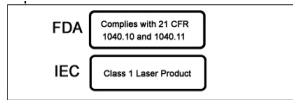


LC

Class 1 Labels

SNR-SFP2.5-WXX-10 2.5Gbps

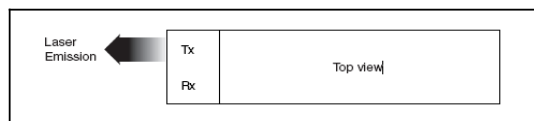
10 dB Power Budget SFP 2.5G WDM Transceiver



Laser Emission Data

Wavelength	1310nm
Total output power (as defined by FDA: 7 mm aperture at 20 cm distance)	<0.195mW
Total output power (as defined by IEC: 7 mm aperture at 10 cm distance)	<15.6mW
Beam divergence	12.5°
Wavelength	1550nm
Total output power (as defined by FDA: 7 mm aperture at 20 cm distance)	<0.79mW
Total output power (as defined by IEC: 7 mm aperture at 10 cm distance)	<10mW
Beam divergence	12.5°

Laser Emission



Notice:

SNR reserves the right to make changes to or discontinue any optical link product or service identified in this publication, without notice, in order to improve design and/or performance. Applications that are described herein for any of the optical link products are for illustrative purposes only. SNR makes no representation or warranty that such applications will be suitable for the specified use without further testing or modification.

SNR-SFP2.5-WXX-10 2.5Gbps

10 dB Power Budget SFP 2.5G WDM Transceiver

GUARANTEE:



CONTACT:

Address: Building 118, Vonsovskogo Street 1, Yekaterinburg, Russia

Tel: +7(343) 379-98-38

Fax: +7(343) 379-98-38

E-mail: info@nag.ru

Online shop: <http://shop.nag.ru>